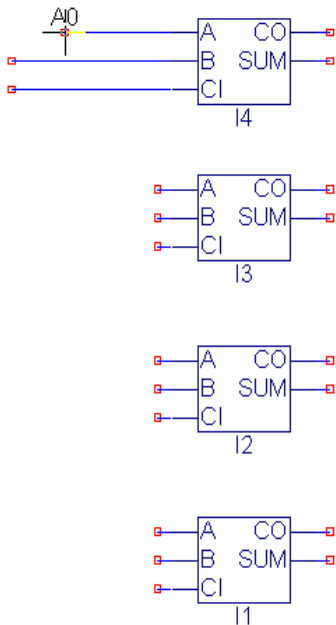
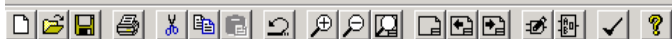
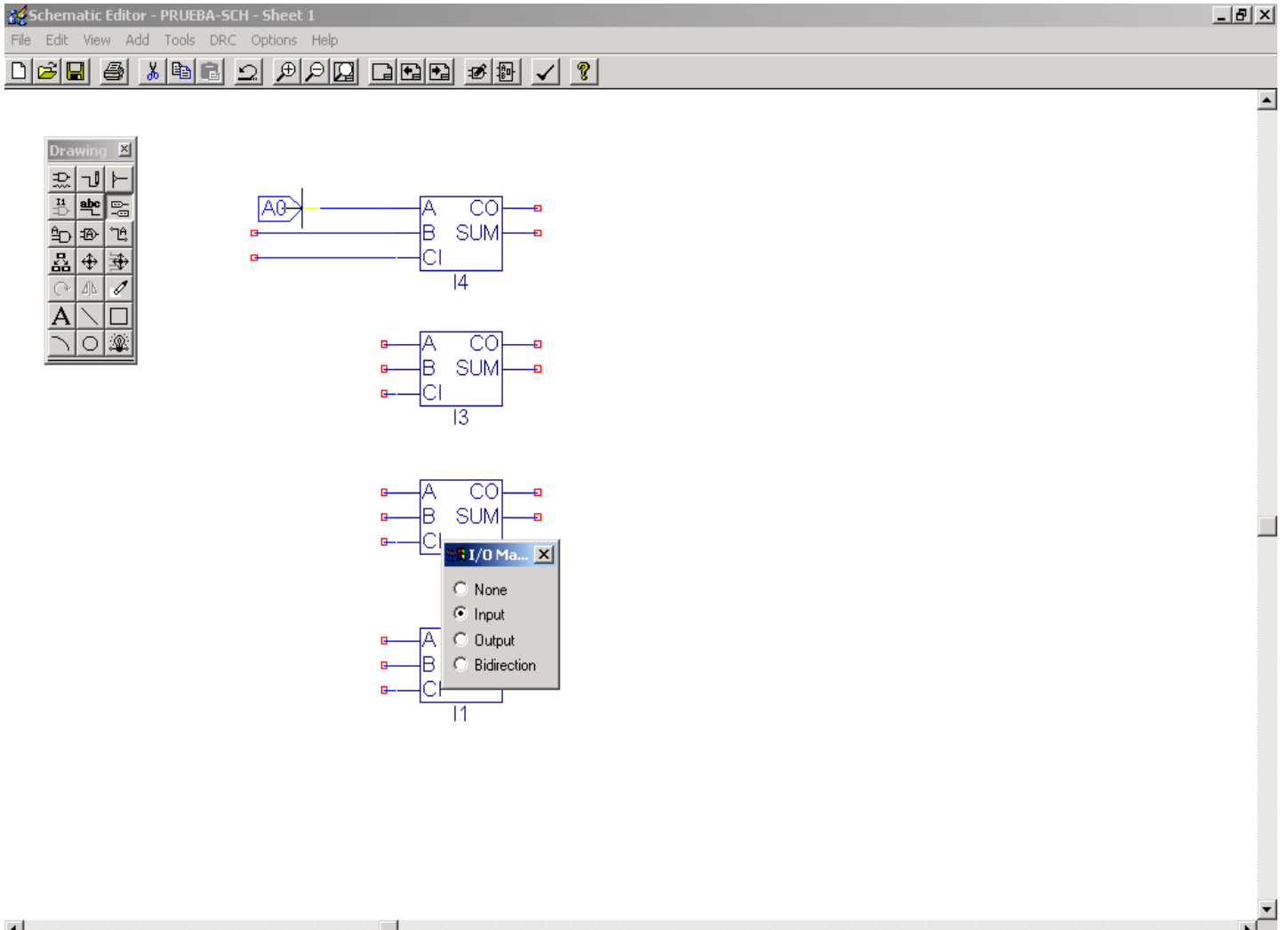
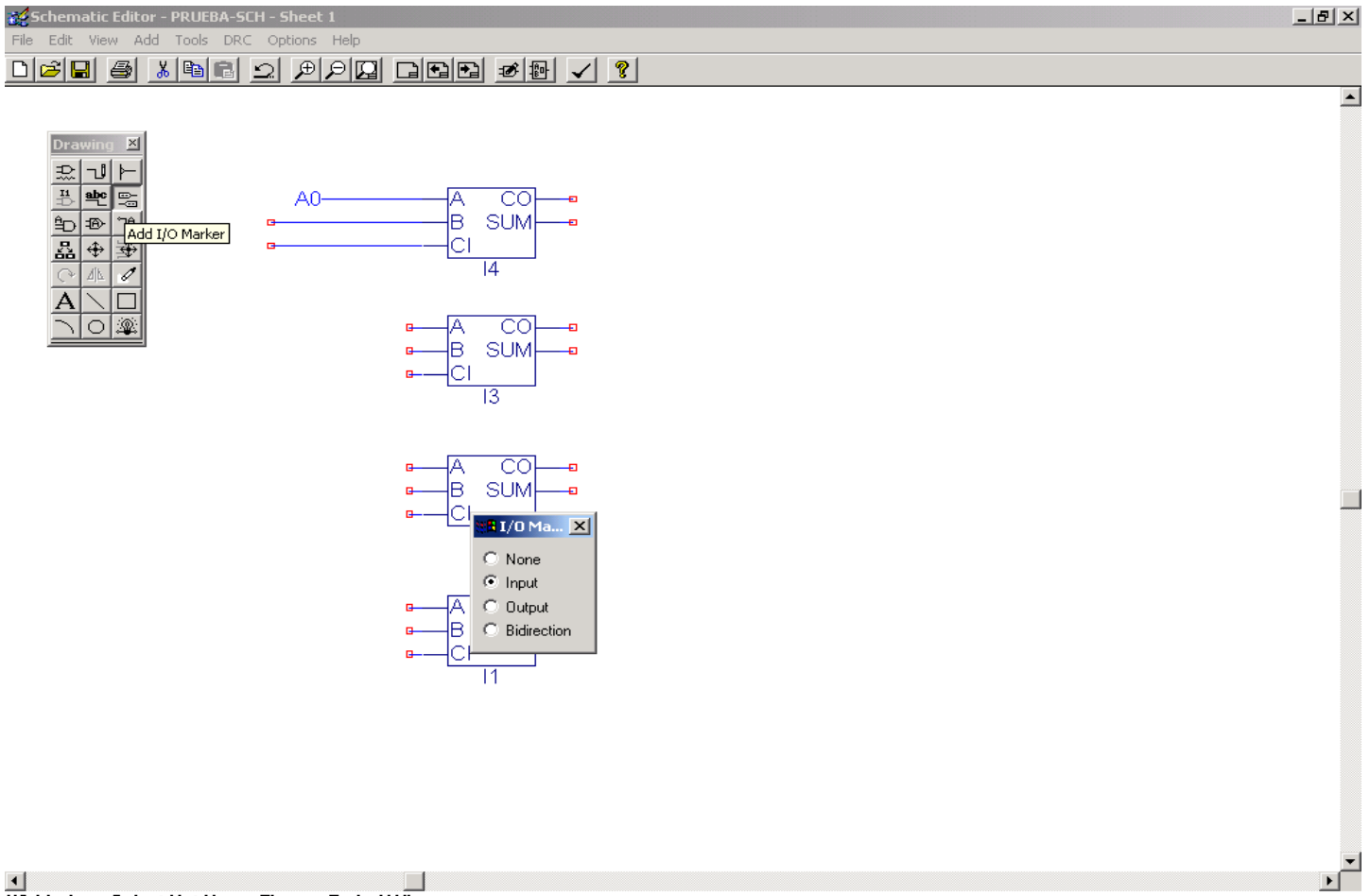
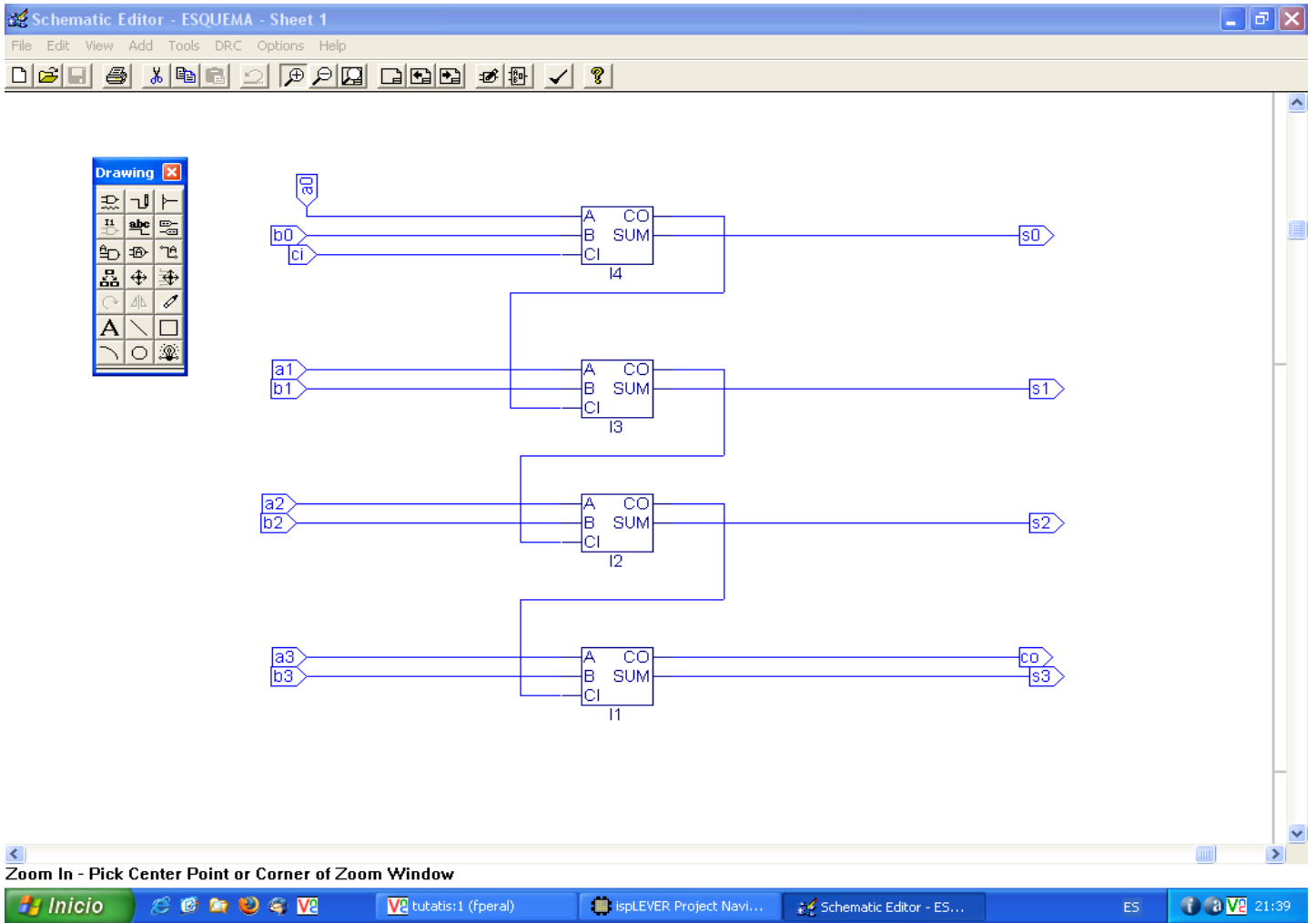


Net Name - Enter Net Name =A0



Net Name - Place Net Name Flag 'A0' - Shift Key to Rename





ispLEVER Project Navigator - [Z:\document\...\sumador4\sumador4.syn]

File View Source Process Options Tools Window Help

Sources in Project:

- sumador4
 - Documents
 - GAL16V8Z-12QJ
 - prueba-sch (...prueba-sch.sch)

Processes for current source:

- Update All Schematic Files
- Link Design
- Linked Equations
- Fit Design
 - Pre-Fit Equations
 - Post-Fit Equations
 - Filter Report
 - Signal Cross Reference
- Create Fuse Map
 - Chip Report
 - Start (Context Menu Open)
 - Force
 - Force One Level
 - View
 - Stop
 - Properties...
- Verilog
- VHDL P

Updating: Hierarchy
 Start to record tcl script...
 Finished recording TCL script.
 Starting: 'C:\ispTOOLS\ispcpld\bin\sch2jhd.exe "...\prueba-sch.sch" -gui'
 Done: completed successfully.

Automake Log

Start a process

Inicio [Taskbar icons] ispLEVER Project Navig... Doc1.doc - Microsoft Word ES M 14:24